



40 Dale St. West Babylon, NY 11704  
Ph: 631-753-9550 Fx: 631-753-9560  
www.unionconnector.com

Product Bulletin No.: DEF-401

## Cam Outlet Boxes

### Features

- Steel, NEMA Type 1 enclosures
- Available as Surface, or Recessed Mount
- Cams can be mounted on front or bottom of enclosure.
- Locking door on versions with hinged door
- Snap-back covers on versions with exposed Cams
- UL Listed

### Connectors

- Standard Series 16 Cam outlets
- Termination by installing contractor to set screw terminals. No lugging required.

### Options

- Reverse Neutral / Ground
- Parallel sets of outlets
- Dual Neutrals
- Custom colors ( as shown )
- NEMA 3R enclosures
- Lamicoid engraved circuit numbers



200COB



400COB-RC

### Specifications

1. Units are UL Listed.
2. Enclosures and panels are 16 Ga. steel, finished black or gray.
3. Ground receptacle is connected to frame with copper conductor and a ground lug is provided for installer.
4. Wiring devices Series 16 Cams, fully compatible with standard E1016 devices.
5. Cams are color-coded; Ground (Green); Neutral (White); Phase A (Black); Phase B (Red) Phase C (Blue).
6. Color-coded snap-back covers shall be used to protect outlets when exposed.
7. Slots shall be provided between Cams as required by N.E.C. to prevent heating by historesis.
8. Wire bending space shall be as required by N.E.C.
9. A warning label denoting correct sequence for connector connection shall be riveted to the enclosure as required by N.E.C. Art. 520-53(K3)



40 Dale St. West Babylon, NY 11704  
Ph: 631-753-9550 Fx: 631-753-9560  
www.unionconnector.com

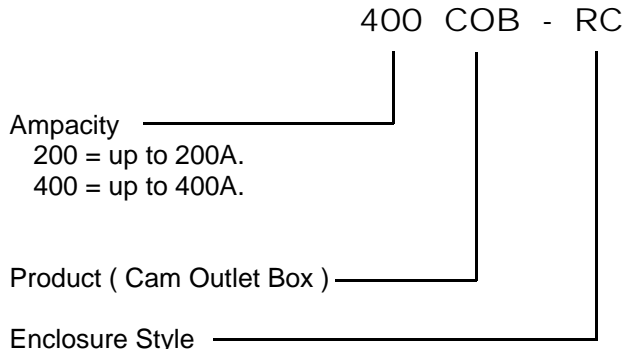
Product Bulletin No.: DEF-401

## Cam Outlet Boxes

### Catalog Number Ordering Information

Example: 400A. Cam outlet box, Recess Mount, hinged

Catalog No.: 400COB-RC



200 = up to 200A.  
400 = up to 400A.

(Blank) = Standard surface mount, Cams mounted on bottom  
BH = Surface mount box, Cams recessed on bottom, behind a locking bottom hatch  
FD = Surface mount box, Cams recessed inside box, behind locking front door  
RC = Recessed mount box, Cams recessed inside box, behind locking front door  
3R = NEMA 3R enclosure, Cams mounted inside, hinged trapdoor for cable access

### Custom Versions

Union Connector fabricates enclosures from flat sheet steel and aluminum, using state-of-the-art CNC equipment. We can manufacture custom enclosures to meet specific needs without incurring major design and setup fees. For more information or a price quotation, contact Union Connector at 631-753-9550 ext. 204, or one of your local Union Connector sales reps.



40 Dale St. West Babylon, NY 11704  
Ph: 631-753-9550 Fx: 631-753-9560  
www.unionconnector.com  
www.companyswitch.com

Product Bulletin No.: DEF-501

## Surface Mount Cam Outlet Box

### Features

- Steel, NEMA Type 1 enclosures
- Standard Cam type outlets
- Snap-back covers on Cams
- Cams mounted on bottom of enclosure.
- Tabs for easy mounting to wall surface
- UL Listed

### Connectors

- Leviton/ECT Series 16 Cam outlets
- Termination by installer to set screw terminals. No lugging required.

### Options

- Reverse Neutral / Ground
- Parallel sets of outlets
- Dual Neutrals
- Custom colors
- NEMA 3R enclosures
- Lamicoid engraved circuit numbers



### Specifications

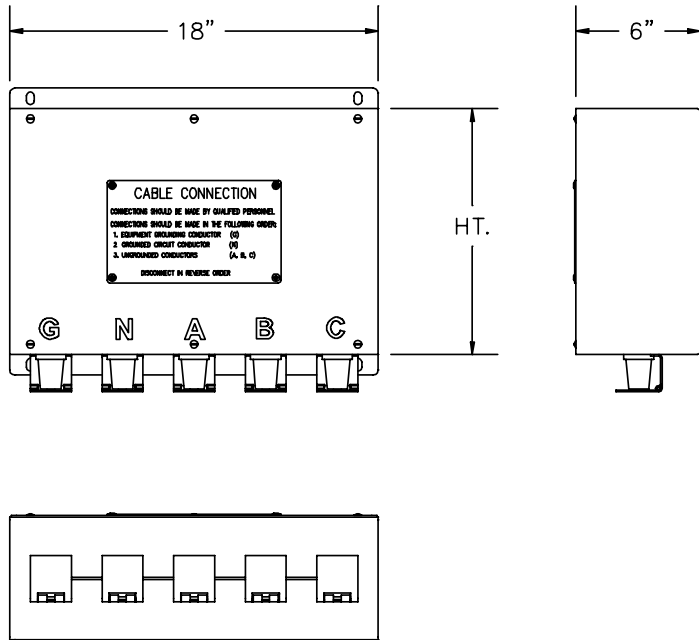
1. Unit shall be UL Listed.
2. Enclosure shall be 16 Ga. steel, finished black or gray.
3. Ground receptacle shall be connected to frame with copper conductor and a ground lug shall be provided for installer connection of ground wire.
4. Wiring devices shall be Leviton/ECT Series 16 Cams, fully compatible with standard E1016 devices.
5. Cams shall be color-coded: Ground (Green); Neutral (White); Phase A (Black); Phase B (Red); Phase C (Blue).
6. Cam connectors shall be protected with snap-back covers.
7. Slots shall be provided between Cams as required by N.E.C. to prevent heating by historesis.
8. Wire bending space shall be as required by N.E.C.
9. A warning label denoting correct sequence for connector connection shall be riveted to the enclosure as required by N.E.C. Art. 520-53(K3)



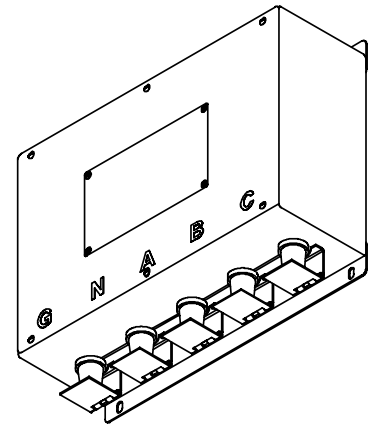
40 Dale St. West Babylon, NY 11704  
 Ph: 631-753-9550 Fx: 631-753-9560  
 www.unionconnector.com  
 www.companyswitch.com

Product Bulletin No.: DEF-501

## Surface Mount Cam Outlet Box



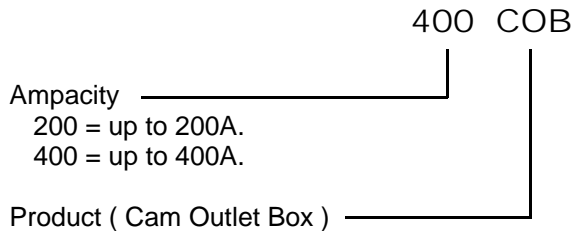
Catalog No.	HT.
200COB	14"
400COB	18"



### Catalog Number Ordering Information

Example: 400A. Cam outlet box, Surface Mount

Catalog No.: 400COB



### Custom Versions

Union Connector fabricates enclosures from flat sheet steel and aluminum, using state-of-the-art CNC equipment. We can manufacture custom enclosures to meet specific needs without incurring major design and setup fees. For more information or a price quotation, contact Union Connector at 631-753-9550 ext. 204, or one of your local Union Connector sales reps.



40 Dale St. West Babylon, NY 11704  
Ph: 631-753-9550 Fx: 631-753-9560  
www.unionconnector.com

Product Bulletin No.: EFP-101

## Emergency Feeder Panel

### Overview

Emergency Feeder Panels are intended for use as a temporary service connection point between portable power units and the facility service entrance. When normal utility power is interrupted for long periods of time ( natural disaster, utility system failure, etc. ), it may become necessary to bring in portable generators to augment emergency gen-sets. Connection of these portable power units to building wiring should be through a transfer switch. The safest and easiest way to connect to this switch is through a feeder panel specifically designed for this application.

The Union Connector Emergency Feeder Panel contains Cams for portable cable connection. These connectors are standard, inexpensive and familiar to generator operators. The cams are mounted inside a NEMA 3R enclosure with a secure trap-door entry on the bottom of the enclosure. Quick, safe connection of portable cables by qualified personnel is through this trap-door. The front door can be secured with a padlock for further security and the facility can now be safely brought back online.

### Features

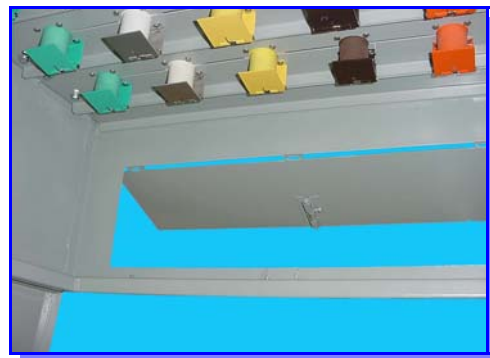
- Steel, powder coated, NEMA Type 3R enclosures
- Latching trap-door for portable cable entry
- 100A. to 2000A.
- Available ratings
  - 1 $\phi$  120/240V.
  - 3 $\phi$  120/208V.
  - 3 $\phi$  277/480V.
- Copper bus with dual-rated lugs for connection to facility wiring
- Standard Series 16 Cam devices
- Cams color-coded per electrical standards
- Cams can be mounted facing forward, facing down or on a 45° angle, as required per application
- Snap-back covers on Cams
- UL Listed

### Options

- Reverse Neutral / Ground
- Dual (200%) Neutral
- Recess mount with trim flange
- Floor mount
- Custom colors



1600A., 277/480V. with forward facing cams



Latching trap-door open



40 Dale St. West Babylon, NY 11704  
Ph: 631-753-9550 Fx: 631-753-9560  
www.unionconnector.com

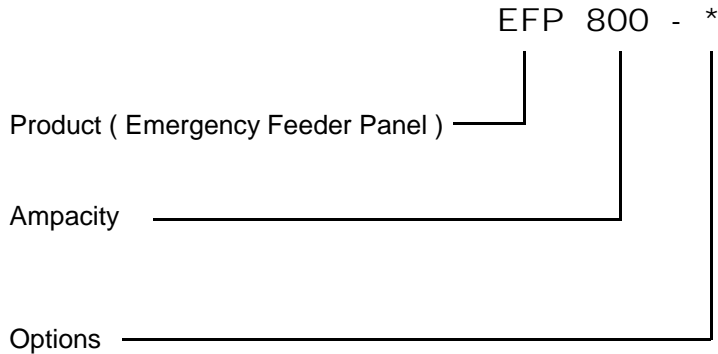
Product Bulletin No.: EFP-101

## Emergency Feeder Panel

### Catalog Number Ordering Information

Example: 800A. Emergency Feeder Panel - standard Cam connectors

Catalog No.: EFP800



PL = Posi-Lok cams

RC = Recessed mount box, trim flange around enclosure

N1 = NEMA 1 enclosure, for use indoors

### Specifications

1. Enclosures shall be steel, NEMA 3R, finished ASA 61 gray powder-coat.
2. A hinged trap-door shall be provided on the bottom of the enclosure to provide entry for portable feeder cable. The trap-door shall have a latch to secure it in the closed position when not in use.
3. Wiring devices shall be Series 16 Cams, fully compatible with standard E1016 devices.
4. Cams shall be color-coded: Ground (Green); Neutral (White); 120/208V.- Phase A (Black); Phase B (Red) Phase C (Blue); 277/480V.- Phase A (Yellow); Phase B (Brown) Phase C (Orange).
5. (1) complete set of cams shall be provided for each 400A. of service to be connected.
6. Orientation of cams on panels shall be as required per application.
7. Slots shall be provided between Cams as required by N.E.C. to prevent heating by historesis.
8. Connection to building wiring shall be from dual-rated solderless panelboard lugs that are mounted to copper bus connected to the cam devices.
9. Wire bending space shall be as required by N.E.C.
10. A warning label shall be riveted to the enclosure as required by N.E.C. Art. 520-53(K3)
11. Emergency Feeder Panel shall be UL Listed, and meet N.E.C. and applicable national electrical standards