



40 Dale St. West Babylon, NY 11704
Ph: 631-753-9550 Fx: 631-753-9560
www.unionconnector.com

Product Bulletin No.: CSF-101D

Connector Strips

Features

- Steel construction with black powder coat finish
- Completely wired from terminals to outlets with high temperature copper wire
- Complete with hanging hardware
- Die-cut outdoor rated circuit numbers
- Pigtails or panel mount receptacles
- Connector types:
 - Pin
 - Locking
 - U-Ground (Edison)
- UL Listed



Options

- Engraved circuit numbers
- Colors to match architectural requirements
- Unusual shapes (curved, 90° turns, etc.)
- DMX connections and signal wiring

Specifications

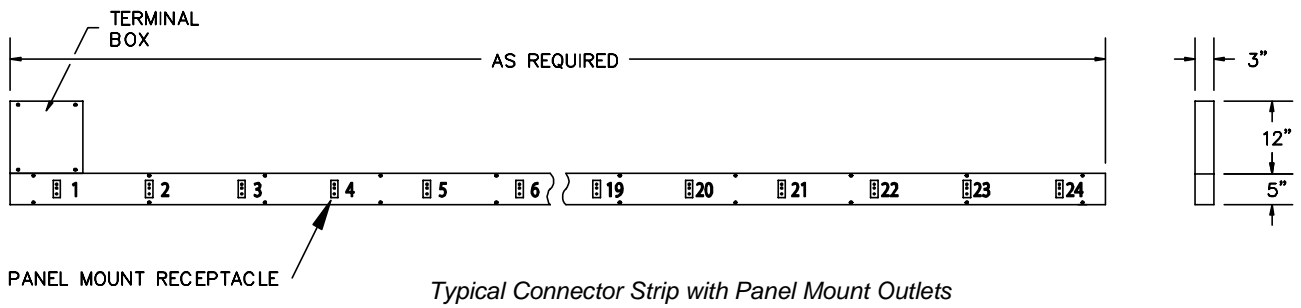
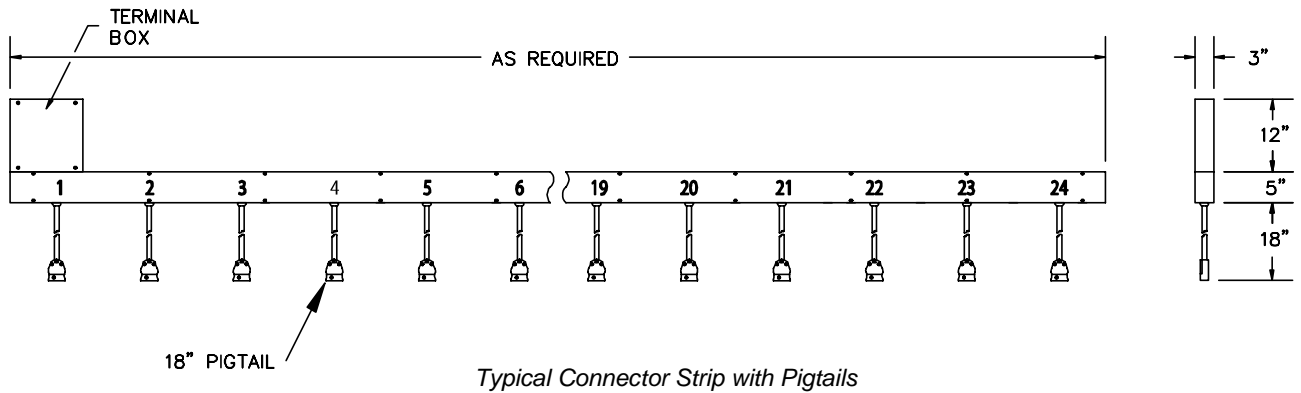
1. Connector strip shall be UL Listed.
2. Enclosure shall be 18 Ga. Steel, 5" x 3" in cross-section, finished semi-matte black.
3. Conductor fill shall conform to NEC Article 362-5
4. Conductors shall be minimum 125°C UL Listed copper wire.
5. Flush mount receptacles shall be mounted on the removable front cover.
6. Pigtails shall be 18" SO cable, secured to the enclosure with a nylon strain relief.
7. Strips shall be factory wired from pigtails or receptacles to terminal blocks.
8. Terminal boxes shall be provided on strips with more than six circuits.
9. All wiring devices are identified with 2" high die-cut vinyl characters.
10. Finished strips may be shipped in multiple sections for ease of handling. Installing contractor may have to join and splice sections at the job site.



40 Dale St. West Babylon, NY 11704
 Ph: 631-753-9550 Fx: 631-753-9560
 www.unionconnector.com

Product Bulletin No.: CSF-101D

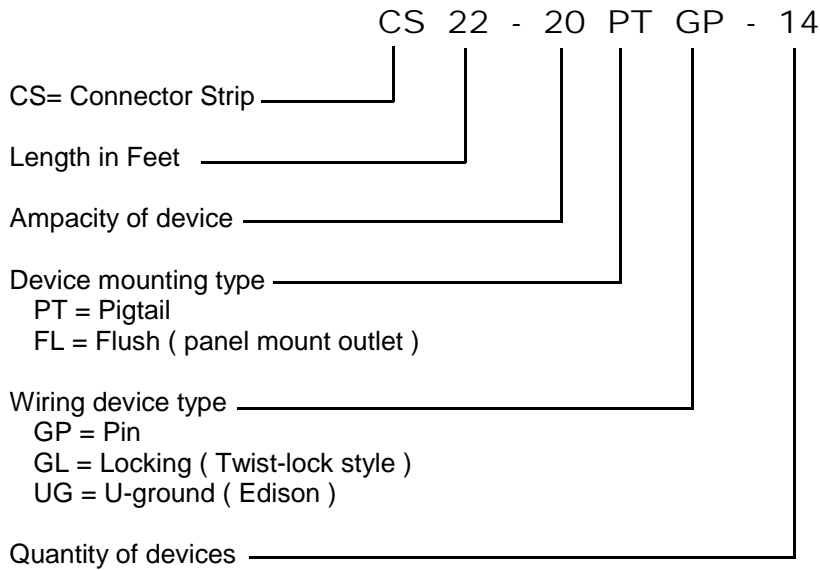
Connector Strips



Catalog Number Ordering Information

Example: 22 ft. connector strip with (14) 20A. Stage Pin pigtails, 18" long and (7) Flush mount 2P&G outlets

Catalog No.: CS22-20PTGP-14





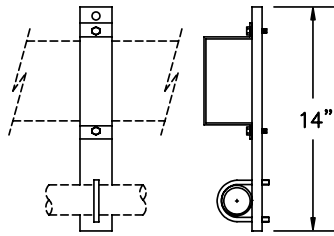
40 Dale St. West Babylon, NY 11704
 Ph: 631-753-9550 Fx: 631-753-9560
 www.unionconnector.com

Product Bulletin No.: CSF-103D

Connector Strip Hangers

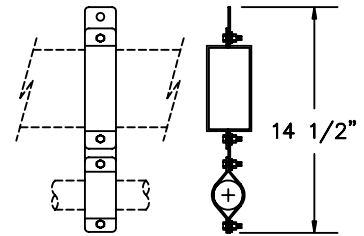
HANGER 14

Standard single pipe theatre type hanger, 14" overall. The connector strip is attached to a 12 Ga. bar with a 2" wide strap of 16 Ga. steel. The hanger is attached to the pipe with a 2" X 5/16" U-bolt.



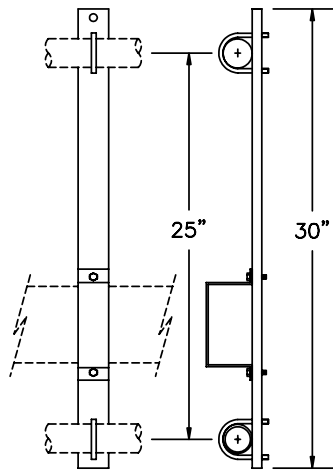
HANGER TV

Standard center hung type hanger. The TV hanger mounts the strip along the centerline of the pipe to which it is attached. The hanger is strapped to pipe with 12 Gauge formed straps.



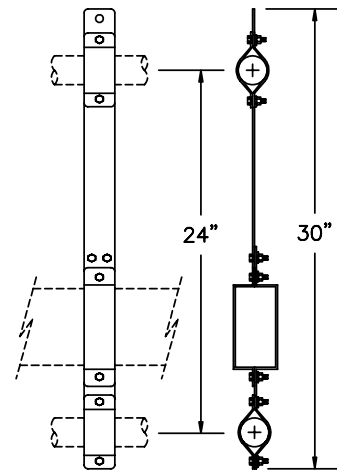
HANGER 30

Standard double pipe theatre type hanger, 30" overall. Similar to an 14" hanger, but the extra length provides room for the connector strip terminal box to fit between two pipes.



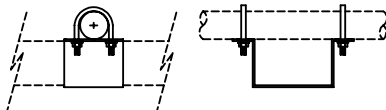
HANGER TV DOUBLE

Center hung type hanger for use between a pair of pipes. The 30" double TV hanger is designed to mount strip in line with pipes to which it is attached. Construction is similar to the TV hanger.



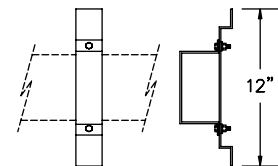
HANGER GRID

Standard hanger for perpendicular mount of strip direct to pipe grid or catwalk. Hanger is secured to pipe with two 2" X 5/16" U-bolts.



HANGER SURFACE

Standard single pipe hanger for mounting strip to wall or ceiling, 12" overall.



Connector Strip Hangers

Hangers are constructed of 12 Gauge cold-rolled steel, and finished the same color as the strips. Typical spacing is one hanger per each 5' of connector strip.

Custom hanger designs are available. Contact Union Connector for details.



40 Dale St. West Babylon, NY 11704
 Ph: 631-753-9550 Fx: 631-753-9560
 www.unionconnector.com

Product Bulletin No.: GJF-101A

Grid Iron Junction Box

Features

- Standard steel NEMA 1 enclosure
- Knockouts for conduit entry
- Molded terminal blocks for #10 - #12 AWG wire
- Ground screw
- UL Listed

Options

- Terminals for larger size wire
- Custom colors
- Permanent die-cut vinyl circuit numbers
- Lamicoid engraved circuit numbers
- Audio/signal terminals with a voltage barrier



Specifications

1. Units are UL Listed.
2. Enclosures and panels are code gauge steel.
3. Finish to be black powder-coat.
4. Terminal blocks are mounted to enclosure with threaded fasteners..
5. Grounding screw provided.

Standard GJB's

| CATALOG NUMBER | TERMINALS | CIRCUITS | DIMENSIONS |
|----------------|-----------|----------|----------------|
| GJB-36 | 36 | 18 | 12" x 12" x 3" |
| GJB-72 | 72 | 36 | 12" x 18" x 3" |
| GJB-96 | 96 | 48 | 12" x 24" x 3" |
| GJB-120 | 120 | 60 | 24" x 24" x 3" |



40 Dale St. West Babylon, NY 11704
 Ph: 631-753-9550 Fx: 631-753-9560
 www.unionconnector.com
 www.companyswitch.com

Connector Strips and Accessories

Name: _____ e-mail: _____
 Company: _____ Phone: _____ Fax: _____
 Project: _____ Request Date: _____ Release Date: _____

Connector Strip 1 Description: _____

| | | | | | | |
|--------------|-----------|-----------------|------------------------|------|---------|----------|
| Strip(s): | Qty. ____ | Length ____ | Feed End (circle one) | Left | Center | Right |
| Pigtails: | Qty. ____ | Length ____ | Connector (circle one) | Pin | Locking | U-Ground |
| Receptacles: | Qty. ____ | | Connector (circle one) | Pin | Locking | U-Ground |
| Circuits: | Qty. ____ | Numbering _____ | | | | |

Connector Strip 2 Description: _____

| | | | | | | |
|--------------|-----------|-----------------|------------------------|------|---------|----------|
| Strip(s): | Qty. ____ | Length ____ | Feed End (circle one) | Left | Center | Right |
| Pigtails: | Qty. ____ | Length ____ | Connector (circle one) | Pin | Locking | U-Ground |
| Receptacles: | Qty. ____ | | Connector (circle one) | Pin | Locking | U-Ground |
| Circuits: | Qty. ____ | Numbering _____ | | | | |

Connector Strip 3 Description: _____

| | | | | | | |
|--------------|-----------|-----------------|------------------------|------|---------|----------|
| Strip(s): | Qty. ____ | Length ____ | Feed End (circle one) | Left | Center | Right |
| Pigtails: | Qty. ____ | Length ____ | Connector (circle one) | Pin | Locking | U-Ground |
| Receptacles: | Qty. ____ | | Connector (circle one) | Pin | Locking | U-Ground |
| Circuits: | Qty. ____ | Numbering _____ | | | | |

Connector Strip 4 Description: _____

| | | | | | | |
|--------------|-----------|-----------------|------------------------|------|---------|----------|
| Strip(s): | Qty. ____ | Length ____ | Feed End (circle one) | Left | Center | Right |
| Pigtails: | Qty. ____ | Length ____ | Connector (circle one) | Pin | Locking | U-Ground |
| Receptacles: | Qty. ____ | | Connector (circle one) | Pin | Locking | U-Ground |
| Circuits: | Qty. ____ | Numbering _____ | | | | |

Cable and Accessories

| | | | | | | | | | |
|--------------|-----------|-------------|-------------------------|---------|-----|----|-----|-----|----|
| Multicable: | Qty. ____ | Length ____ | No. of Conductors ____ | Kellems | Yes | No | GJB | Yes | No |
| Multicable: | Qty. ____ | Length ____ | No. of Conductors ____ | Kellems | Yes | No | GJB | Yes | No |
| Multicable: | Qty. ____ | Length ____ | No. of Conductors ____ | Kellems | Yes | No | GJB | Yes | No |
| Multicable: | Qty. ____ | Length ____ | No. of Conductors ____ | Kellems | Yes | No | GJB | Yes | No |
| Cable Clamp: | Qty. ____ | | Cable Cradle: Qty. ____ | | | | | | |

