



40 Dale St. West Babylon, NY 11704
 Ph: 631-753-9550 Fx: 631-753-9560
 www.unionconnector.com

Product Bulletin No.: WDF-301

Multi-Pin Connectors

Features

- Compatible with industry standard multi-pin connectors
- Manufactured in Spain by (ICP)
- Machined aluminum housing, anodized black
- Cable and panel mount devices
- Strain relief s for various cable sizes
- Gold plated contacts
- Solder contacts for #12 - 16 wire
- UL Recognized



7-PIN

Cat. No.	Description
92-01-37Y-SC	19-Pin Female, cable dia. .51-.79"
92-02-37Y-S	19-Pin Female panel mount
92-06-37Y-PC	19-Pin Male, cable dia. .51"-.79"
92-09-37Y-P	19-Pin Male panel mount

19-PIN

Cat. No.	Description
92-01-419AR-SA	19-Pin Female, cable dia. .51-.79"
92-01-419AR-SD	19-Pin Female, cable dia. .87-1.26"
92-02-419AR-S	19-Pin Female panel mount
92-06-419AR-PA	19-Pin Male, cable dia. .51"-.79"
92-06-419AR-PD	19-Pin Male, cable dia. .87"-1.26"
92-09-419AR-P	19-Pin Male panel mount

19-Pin Cables and Boxes

Union Connector manufactures a complete line of multi-pin cable assemblies using ICP devices. These cable assemblies include fan-outs, extension cables, adapters and multi-cable breakouts. Cable can be either SJ, SO or flexible Dura-Flex.

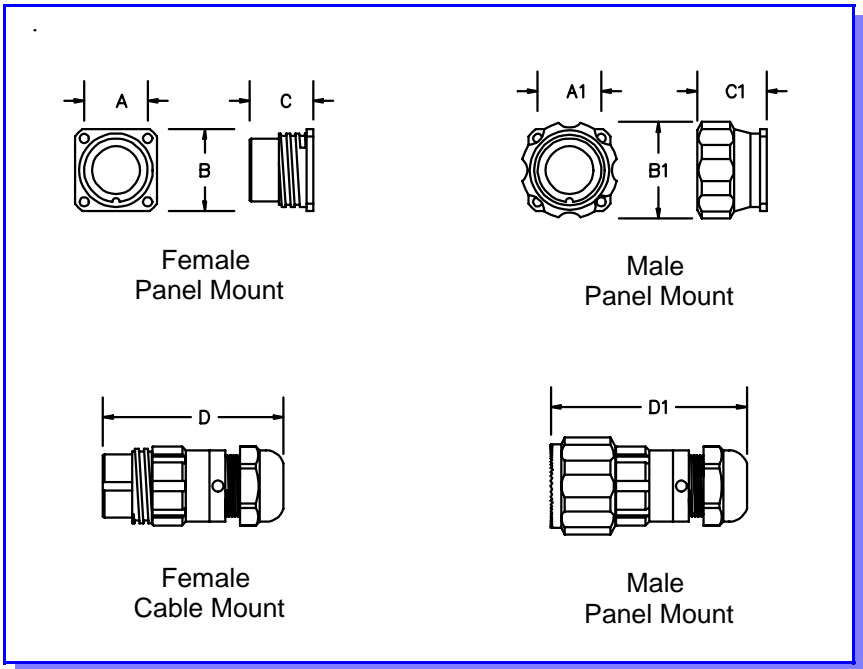
Union Connector also manufactures multi-pin outlet boxes, inlet boxes, patch panels and portable distros. These are designed and built to meet specific customer needs. Contact Union Connector or your local Union Connector rep agency for more information.

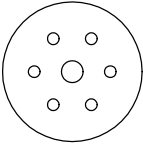


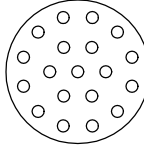
40 Dale St. West Babylon, NY 11704
 Ph: 631-753-9550 Fx: 631-753-9560
 www.unionconnector.com

Product Bulletin No.: WDF-301

Multi-Pin Connectors



			
Female Panel Mount	A	B	C
	1.34	1.81	0.99
Male Panel Mount	A1	B1	C1
	1.34	2.05	1.04
Female Cable Mount	D		
	3.66		
Male Cable Mount	D1		
	3.40		

			
Female Panel Mount	A	B	C
	1.61	2.20	0.99
Male Panel Mount	A1	B1	C1
	1.61	2.54	1.04
Female Cable Mount	D		
	3.66		
Male Cable Mount	D1		
	3.93		