



40 Dale St. West Babylon, NY 11704
Ph: 631-753-9550 Fx: 631-753-9560
www.unionconnector.com

Product Bulletin No.: DEF-101A

Outlet / Pigtail Boxes

Spec Quality Outlet Boxes

- Steel, NEMA Type 1
- Available as Surface, Pipe or Recessed Mount
- Permanent die-cut vinyl circuit numbers
- UL Listed



Connectors

- Pin Connectors - 20 - 100A.
- NEMA Locking - 15 - 50A.
- Edison (U-Ground) - 15 - 30A.
- 19-Pin - 20A.



Options

- Clear or colored covers on 20A. Pin connectors.
- "Kellems" type wire mesh cable grips.
- Bussing of multiple outlets as a single circuit
- Custom colors
- NEMA 3R enclosures
- Lamicoid engraved circuit numbers
- Audio/signal connectors with a voltage barrier built into the enclosure .



Specifications

1. Units are UL Listed.
2. Enclosures and panels are 18 Ga. steel, 5"H. x 3"D., finished with black enamel paint.
3. Receptacles are mounted on a removable front panel.
4. Pigtails are S or SO cable, mounted to the bottom of the enclosure and held with a nylon strain relief.
5. Pin connector receptacles are bussed with a common ground.
6. Wiring devices are grounded to panel and enclosure.
7. Pipe mount versions are provided with a pair of U-Bolts sized for 1 1/2" pipe.
8. Recessed mount versions have front panel with 1" overlap on all edges.
9. Circuit numbers are white vinyl die-cut characters.



40 Dale St. West Babylon, NY 11704
 Ph: 631-753-9550 Fx: 631-753-9560
 www.unionconnector.com

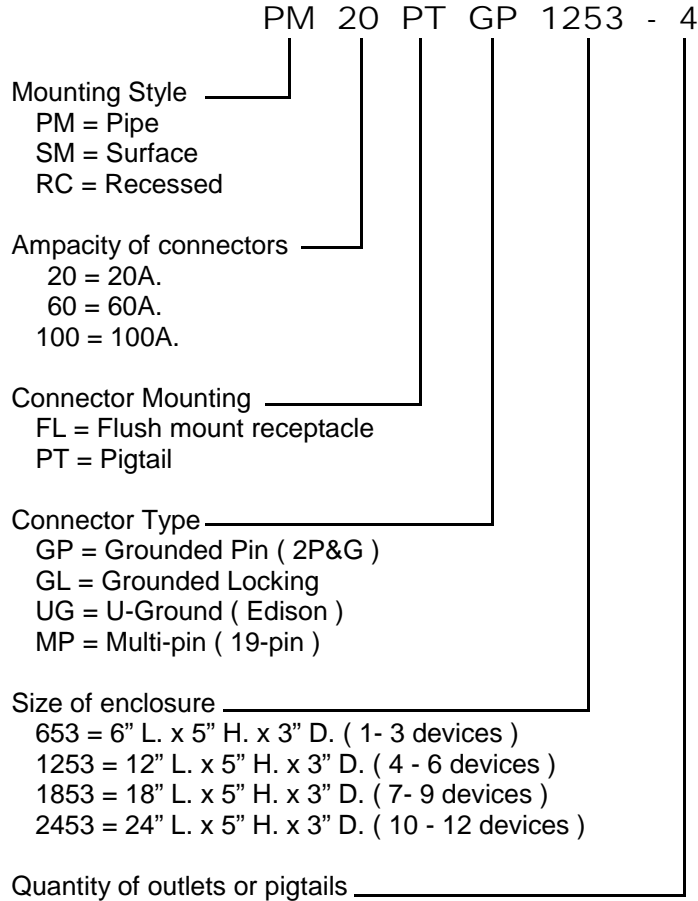
Product Bulletin No.: DEF-101A

Outlet / Pigtail Boxes

Catalog Number Ordering Information

Example: Pipe mount, pigtail box, 12" x 5" x 3", with (4) 20A. 2P&G connectors

Catalog No.: PM20PTGP1253-4



Custom Versions

Union connector fabricates enclosures from flat sheet steel and aluminum, using state-of-the-art CNC equipment. We can manufacture custom enclosures to meet specific needs without incurring major design and setup fees. For more information or a price quotation, contact Union Connector at 631-753-9550 ext. 204, or one of your local Union Connector sales reps.



40 Dale St. West Babylon, NY 11704
Ph: 631-753-9550 Fx: 631-753-9560
www.unionconnector.com

Product Bulletin No.: FLF-101A

FL Series Outlet / Inlet Boxes

Economical Outlet Boxes

- Use as simple outlet boxes or as part of a “patch” system
- Standard size steel, NEMA Type 1 enclosures
- Standard and custom enclosure sizes
- Common Ground bus
- UL Listed

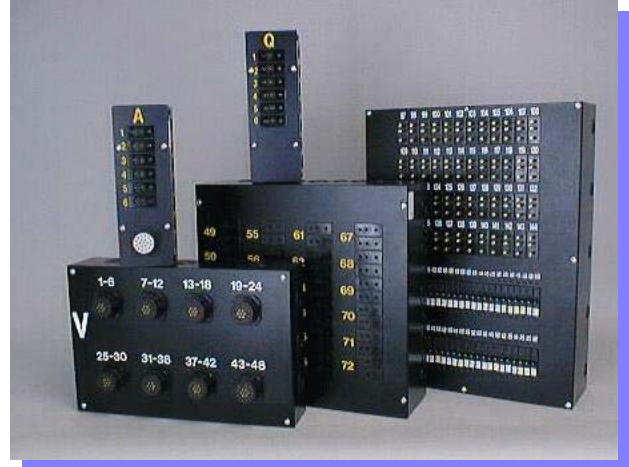
Connectors

- Pin Connectors - 20 - 100A.
- NEMA Locking - 15 - 50A.
- Edison (U-Ground) - 15 - 30A.
- 19-Pin - 20A.
- Pin & Sleeve - 20—100A.



Options

- Pipe or Recessed Mount
- Bussing of multiple outlets as a single circuit
- Custom colors
- NEMA 3R enclosures
- Permanent die-cut vinyl circuit numbers
- Lamicoide engraved circuit numbers
- Audio/signal connectors with a voltage barrier built into the enclosure .
- Isolated Ground or GFCI outlets



Specifications

1. Units are UL Listed.
2. Enclosures and panels are 18 Ga. steel, finished with black enamel paint.
3. Receptacles are mounted on a removable front panel.
4. Pin connector receptacles are bussed with a common ground.
5. Wiring devices are grounded to panel and enclosure.
6. Recessed mount versions have front panel with 1” overlap on all edges.



40 Dale St. West Babylon, NY 11704
 Ph: 631-753-9550 Fx: 631-753-9560
 www.unionconnector.com

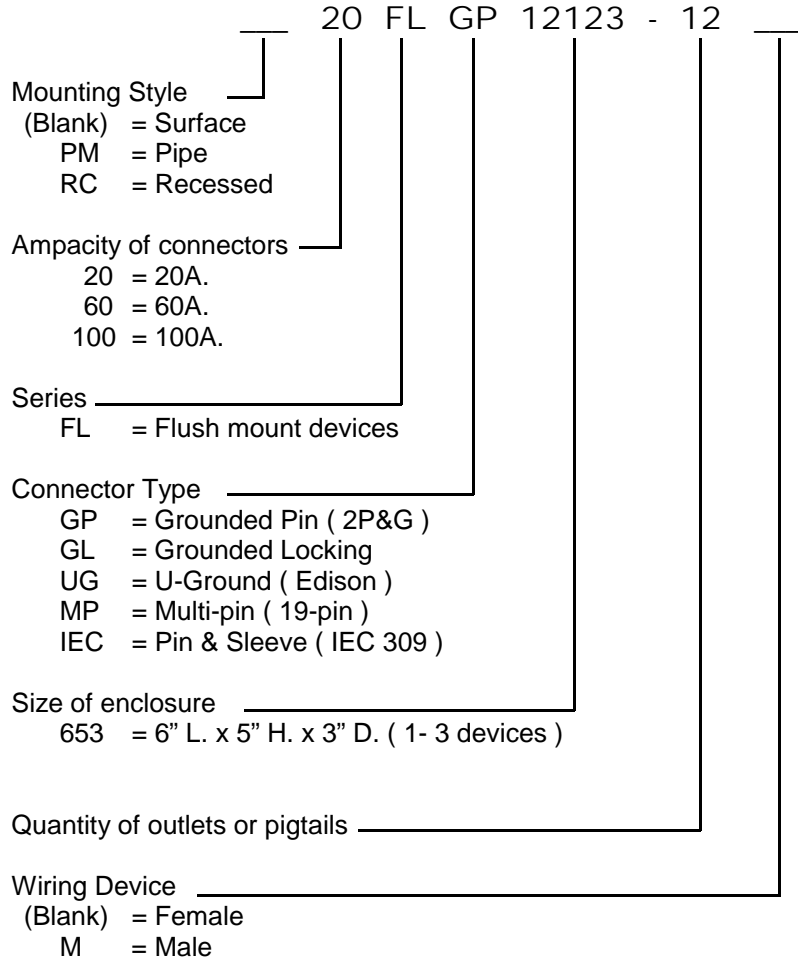
Product Bulletin No.: FLF-101A

FL Series Outlet / Inlet Boxes

Catalog Number Ordering Information

Example: Surface mount outlet box, 12" x 12" x 3", with (12) 20A. 2P&G connectors

Catalog No.: 20FLGP12123 - 12



Custom Versions

Union connector fabricates enclosures from flat sheet steel and aluminum, using state-of-the-art CNC equipment. We can manufacture custom enclosures to meet specific needs without incurring major design and setup fees. For more information or a price quotation, contact Union Connector at 631-753-9550 ext. 204, or one of your local Union Connector sales reps.



40 Dale St. West Babylon, NY 11704
Ph: 631-753-9550 Fx: 631-753-9560
www.unionconnector.com

Product Bulletin No.: PSF-101B

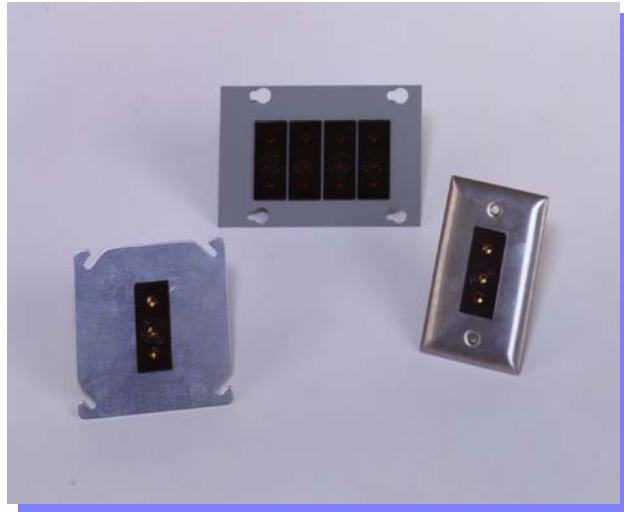
PS Series Outlet / Inlet Panels

Features

- Standard size steel faceplates for gang or junction boxes
- Custom sized panels in steel or aluminum
- Ground bus
- UL Listed

Connectors

- Pin Connectors - 20 - 100A.
- NEMA Locking - 15 - 50A.
- Edison (U-Ground) - 15 - 30A.
- 19-Pin - 20A.
- Pin & Sleeve - 20—100A.



Options

- Bussing of multiple outlets as a single circuit
- Custom colors
- Permanent die-cut vinyl circuit numbers
- Lamicoid engraved circuit numbers
- Audio/signal connectors with a voltage barrier
- Isolated Ground or GFCI outlets
- Rack mountable (19")



Specifications

1. Units are UL Listed.
2. Panels shall be painted steel, brushed stainless or anodized aluminum
3. Pin connector receptacles are bussed with a common ground.
4. Wiring devices are grounded to panel.

Custom Versions

Union connector fabricates panels from flat sheet steel and aluminum, using state-of-the-art CNC equipment. We can manufacture custom panels to meet specific needs without incurring major design and setup fees. For more information or a price quotation, contact Union Connector at 631-753-9550 ext. 204, or one of your local Union Connector sales reps.



40 Dale St. West Babylon, NY 11704
 Ph: 631-753-9550 Fx: 631-753-9560
 www.unionconnector.com

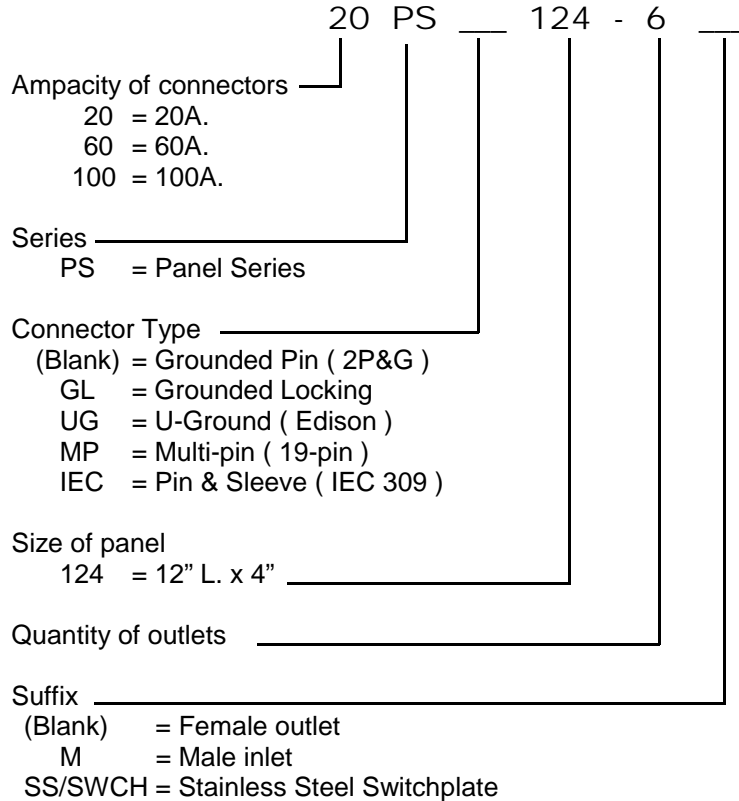
Product Bulletin No.: PSF-101B

PS Series Outlet / Inlet Panels

Catalog Number Ordering Information

Example: Outlet panel, 12" x 4", with (6) 20A. 2P&G connectors

Catalog No.: 20PS124-6



Standard Panels

CATALOG NUMBER	DESCRIPTION
#20PS42-1-SWCH/SS	Single gang (4" x 2") stainless steel switchplate with (1) 2P&G outlet
#20PS44-1-SWCH/SS	Two gang (4" x 4") stainless steel switchplate with (1) 2P&G outlet
#20PS44-1-SWCH/SS:	Two gang (4" x 4") stainless steel switchplate with (2) 2P&G outlets
#20PS44-1 : 4" x 4"	Steel panel for junction box with (1) 2P&G outlet
#20PS44-2 : 4" x 4"	Steel panel for junction box with (2) 2P&G outlets
#20PS44-3 : 4" x 4"	Steel panel for junction box with (3) 2P&G outlets