



Multi-Pin Connectors

Features

- Compatible with industry standard multi-pin connectors
- Manufactured in Spain by (ICP)
- Machined aluminum housing, anodized black
- Cable and panel mount devices
- Strain relief s for various cable sizes
- Gold plated contacts
- Solder contacts for #12 - 16 wire
- UL Recognized

7-PIN

| Cat. No. | Description |
|--------------|---|
| 92-01-37Y-SC | 19-Pin Female, cable dia. .51-.79" |
| 92-02-37Y-S | 19-Pin Female panel mount |
| 92-06-37Y-PC | 19-Pin Male, cable dia. .51"-.79" |
| 92-09-37Y-P | 19-Pin Male panel mount |

19-PIN

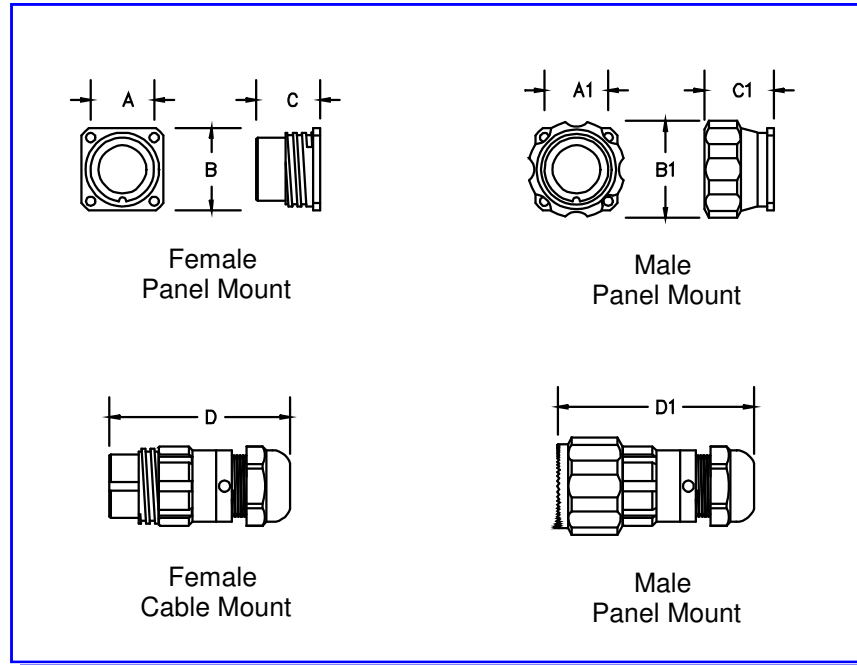
| Cat. No. | Description |
|----------------|--|
| 92-01-419AR-SA | 19-Pin Female, cable dia. .51-.79" |
| 92-01-419AR-SD | 19-Pin Female, cable dia. .87-1.26" |
| 92-02-419AR-S | 19-Pin Female panel mount |
| 92-06-419AR-PA | 19-Pin Male, cable dia. .51"-.79" |
| 92-06-419AR-PD | 19-Pin Male, cable dia. .87"-1.26" |
| 92-09-419AR-P | 19-Pin Male panel mount |

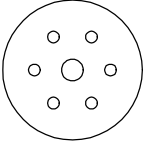
19-Pin Cables and Boxes

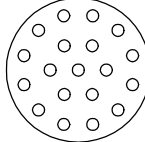
Union Connector manufactures a complete line of multi-pin cable assemblies using ICP devices. These cable assemblies include fan-outs, extension cables, adapters and multi-cable breakouts. Cable can be either SJ, SO or flexible Dura-Flex.

Union Connector also manufactures multi-pin outlet boxes, inlet boxes, patch panels and portable distros. These are designed and built to meet specific customer needs. Contact Union Connector or your local Union Connector rep agency for more information.

Multi-Pin Connectors



| | | | |
|---|-----------|-----------|-----------|
|  | | | |
| Female Panel Mount | A | B | C |
| | 1.34 | 1.81 | 0.99 |
| Male Panel Mount | A1 | B1 | C1 |
| | 1.34 | 2.05 | 1.04 |
| Female Cable Mount | D | | |
| | 3.66 | | |
| Male Cable Mount | D1 | | |
| | 3.40 | | |

| | | | |
|--|-----------|-----------|-----------|
|  | | | |
| Female Panel Mount | A | B | C |
| | 1.61 | 2.20 | 0.99 |
| Male Panel Mount | A1 | B1 | C1 |
| | 1.61 | 2.54 | 1.04 |
| Female Cable Mount | D | | |
| | 3.66 | | |
| Male Cable Mount | D1 | | |
| | 3.93 | | |