



## Outlet / Pigtail Boxes

### Spec Quality Outlet Boxes

- Steel, NEMA Type 1
- Scratch resistant black wrinkle powder coat
- Surface, Pipe or Recessed Mount
- UL Listed



### Connectors

- Stage Pin - 20 - 100A.
- NEMA Locking - 15 - 50A.
- NEMA Straight blade -15 - 50A.
- 19-Pin - 20A.



### Options

- Custom enclosure size
- Fabricated from aluminum
- NEMA Type 3R enclosures
- Clear or color covers on 20A Stage Pin devices
- "Kellems" type wire mesh cable grips.
- Bussing of multiple outlets as a single circuit
- Custom powder coat colors
- Audio/signal connectors with a voltage barrier built into the enclosure.



### Specifications

1. Units are UL Listed.
2. Enclosures and panels are 18 Ga. Cold rolled steel, finished with a scratch resistant black wrinkle powder coat.
3. Receptacles are mounted on a removable front panel.
4. Pigtails are SJOW or SOOW cable, mounted to the bottom of the enclosure and held with a nylon strain relief.
5. Wiring devices are grounded to panel and enclosure.
6. Pipe mount versions are provided with a pipe mounting kits, including a pair of U-Bolts sized for 1 1/2" pipe.
7. Recessed mount versions have front panel with 1" overlap on all edges.
8. Circuit numbers are laser engraved lamicoïd.

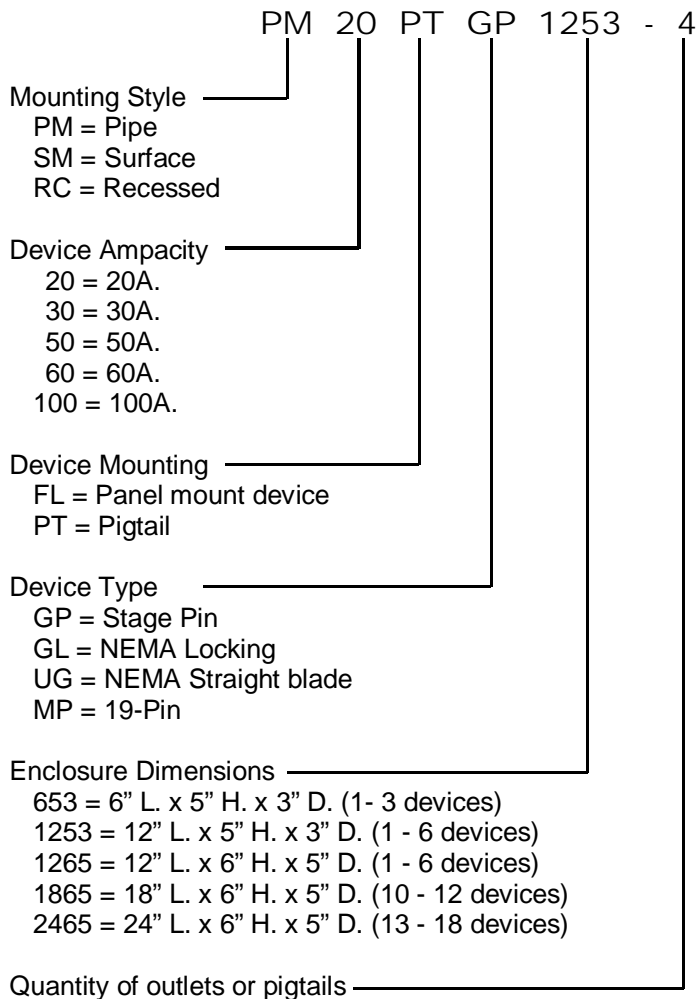


# Outlet / Pigtail Boxes

## Catalog Number Ordering Information

Example: Pipe mount, pigtail box, 12" x 5" x 3", with (4) 20A. 2P&G connectors

Catalog No.: PM20PTGP1253-4



### Custom Versions

Union connector fabricates enclosures from cold rolled steel and aluminum, using state-of-the-art CNC equipment. We can manufacture custom enclosures to meet specific needs without incurring major design and setup fees. For more information or a price quotation, contact Union Connector at 631-753-9550.